

Module type **CaterSense V2 + ATSC**

CaterSense-V2+ATSC Controller - Inbuilt Speed Control, Gas Pressure Proving and Sensor options

The **CaterSense-V2+ATSC** is a multi-function controller which can be used in any catering application. The unit is able to start / stop control two fans and speed control them via a range of inbuilt speed controllers to meet BS6173:2009 and DW172.

This product has a number of available inputs which can be used to perform different functions, such as CO2 level monitoring / control, heater battery control and optional demand control is also available.

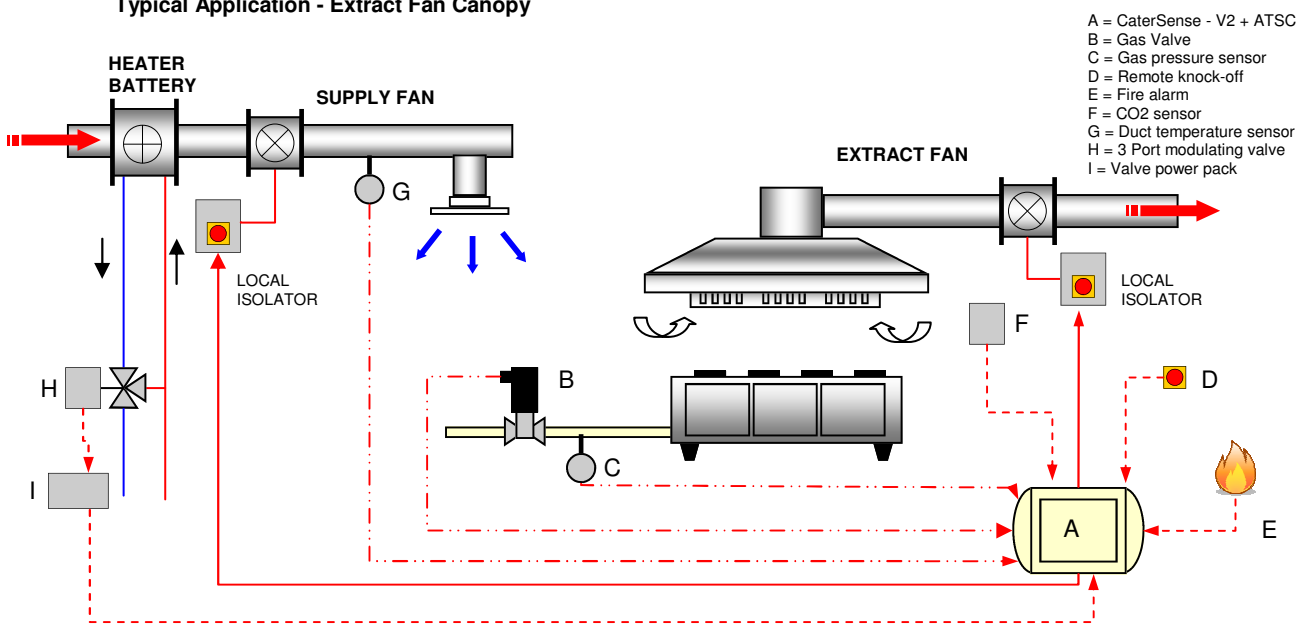
(Please contact us for more details)



Model Type	Model	Description
	CaterSense-V2+ATSC	Controller C/W inbuilt speed control and optional sensors

Technical Data		
Power supply	240Vac	50Hz (L,N,& E)
Number of sensor channels	Two - Optional to 6	sensor inputs
Current rating of monitor	1 to 8Amp	FLC inbuilt Speed Control
Voltage range of fans	Single phase	(240Vac)
Gas valve output	240Vac	(L,N & E)
Fire alarm input	Volt-free to open	on alarm
Remote knock-off	Volt-free to open	on activation

Typical Application - Extract Fan Canopy



Wiring Diagram

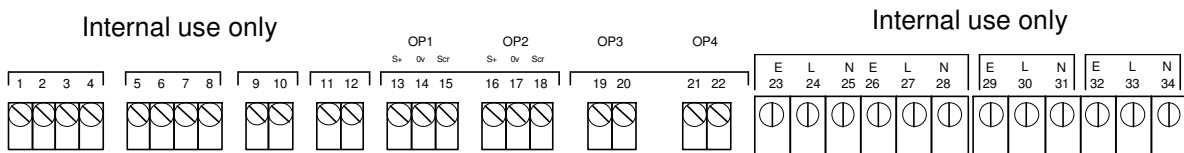
The CaterSense system has two sets of terminals all mounted along the top edge of the main PCB circuit board.

Terminals 13 to 22 & 1 to 16 are the smaller terminals (1.5 mm² cable) and are used for the sensors and inter-locking devices including motor thermal contacts. Screened cable must be used (**we recommend Beldon 8723 but that should be the choice of the installer and dependant on the individual installation**).

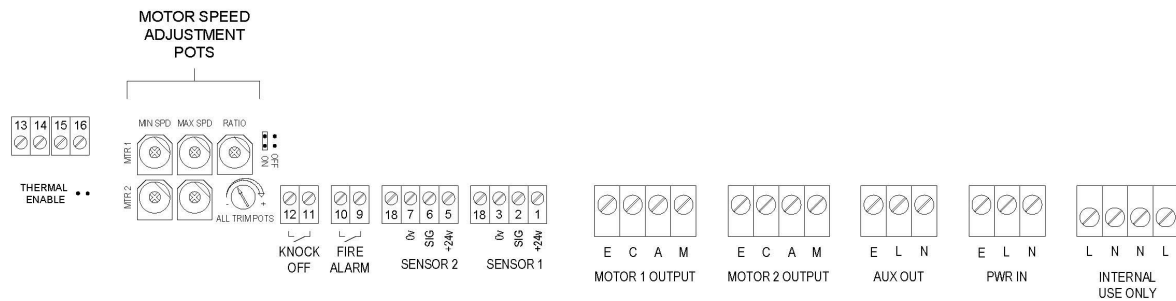
Remaining Terminals are the larger terminals (4 mm² cable) and are for the power connections for the fans, gas valve and power supply to the unit.

The terminals are of the rising clamp type protection.

PCB1 - CaterSense main board



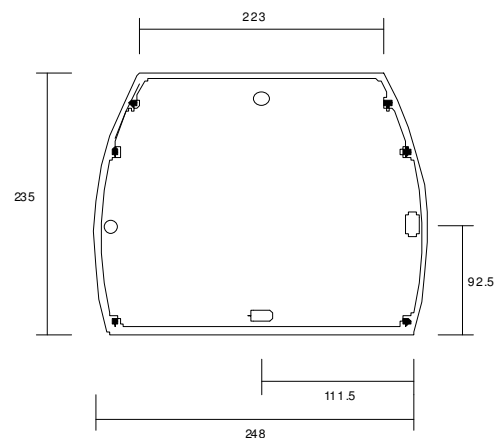
PCB2 - Speed controller



Fitting Instructions

The **CaterSense - V2 + ATSC** unit has six (6) mounting holes which can be used (as shown)

Note: Ensure that the enclosure is mounted on a clean and level surface away from the direct cooking area or surfaces.



This symbol on this product or the package indicates that disposal of this product after its lifecycle could harm the environment. DO NOT dispose of this product (or batteries if used) as unsorted municipal waste. It should be disposed by a specialised company for recycling. This product should be returned to your distributor or to a local recycling service. Respect the local environment rules.