

Laboratory Bench Isolation Unit: LabSense-01

LabSense®-01 controller is used in laboratory isolation applications to control the gas supplies to the benches.

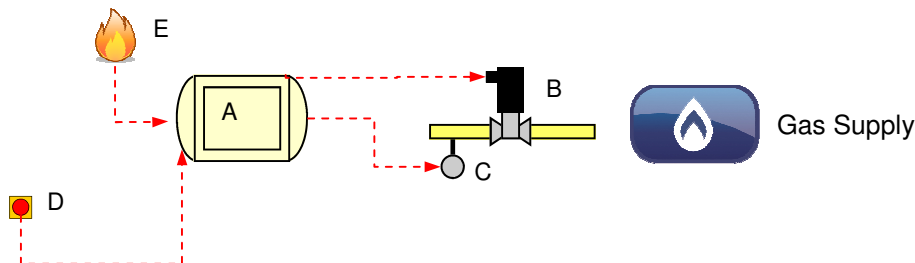
The unit has direct electrical connections for controlling the gas valves (240Vac outputs).

The controller has a number of user definable inputs and outputs to enable the system to be tailored to particular requirements.

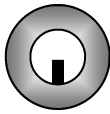


Model Type	Model	Description
	LS - 01	Bench Isolation Controller
Technical Data	Power supply	240Vac
	Control / Sensor circuits	24Vac / dc
	Programs	Multi-function - DIL switch selectable

Typical Application - Laboratory with Gas



A = LabSense 01 Controller
 B = Gas Supply Valve
 C = Gas Pressure Sensor
 D = Remote knock-off
 E = Fire alarm

OPERATION DETAILS
**System activation key switch**

The system activation key switch is used to enable and disable the controller. When the key has been turned to the enabled position the operator has a fixed time period in which to select the services required, gas, water and electric and press the system start pad. If the selection or start are not actioned within this period the controller will not activate until the key switch is turned off and back to enable.

**Gas supply required / activation touch pad**

Gas supply only becomes live when master key is selected to "ON", gas supply touch pad has been pressed and the gas pressure proving sequence has been completed and passed. During the gas proving sequence the gas supply LED will flash amber and only turn to green when the tests have been completed and passed.

The gas supply can be deselected at any time during the unit's operation.

**Water supply required / activation touch pad**

Function is not available on LabSense-01

**Electric supply required / activation touch pad**

Function is not available on LabSense-01

**System Extension touch pad**

Once the system has been enabled by the key switch and the services required have been selected the system will start the fixed time period. This period can be extended by 15mins when this pad is pressed during the fixed time period. The period extension LED will flash green to indicate that this function has been selected and turn to steady green during the extension period.

**System stop touch pad**

The system will automatically switch off at the end of its fixed time period unless the system stop pad is pressed.

**Audible alarm mute touch pad**

In the event of an alarm or system fault an audible alarm will sound. Press the alarm mute pad to silence the alarm.

Wiring Diagram

The LabSense system has two sets of terminals all mounted along the top edge of the main PCB circuit board.

Terminals 1 to 12 are the smaller terminals (1.5 mm² cable) and are used for the sensors, inter-locking devices, remote speed and on/off control. (Screened cable must be used BELDEN 8723 or equivalent recommended)

Terminals 29 to 34 are the larger terminals (4 mm² cable) and are for the power connections for the fans, gas valve and power supply to the unit.

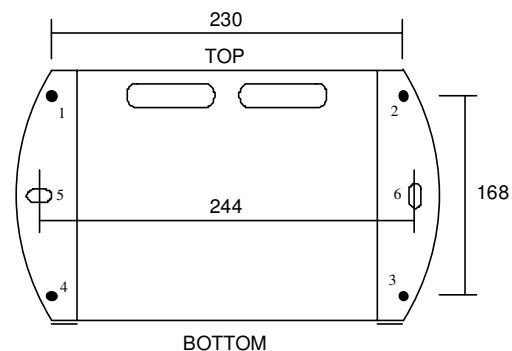
The terminals are of the rising clamp type protection.

See wiring diagram LabSense - 01 WD-02-01 (attached) for further details.

Fitting Instructions

The **LabSense** unit has four (4) mounting holes which can be used (as shown)

Note: Ensure that the enclosure is mounted on a clean and level surface away from the direct cooking area or surfaces.



Ancillary Products

Remote Knock-off Buttons



RKPB-01 Knock-off
RKPB-02 Key
RKPB-03 Key + Shroud

Remote Sensors

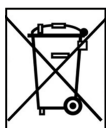


CS-GPS-01

Gas Valves



GV Valves
1/2" to 2-1/2" BSP



This symbol on this product or the package indicates that disposal of this product after its lifecycle could harm the environment. DO NOT dispose of this product (or batteries if used) as unsorted municipal waste. It should be disposed by a specialised company for recycling. This product should be returned to your distributor or to a local recycling service. Respect the local environment rules.

