

GSV-xx Gas Solenoid Valve

A range of normally-closed gas solenoid valves used for gas shut-off for safety or control applications. The range is suitable for various gases, including natural gas, propane, and LPG.



Model Type	Model	Description
<i>Other sizes available - please contact us</i>	GSV-15	Gas solenoid valve (1/2" BSP connection)
	GSV-20	Gas solenoid valve (3/4" BSP connection)
	GSV-25	Gas solenoid valve (1" BSP connection)
	GSV-32	Gas solenoid valve (1 1/4" BSP connection)
	GSV-40	Gas solenoid valve (1 1/2" BSP connection)
	GSV-50	Gas solenoid valve (2" BSP connection)

Technical Data

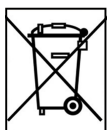
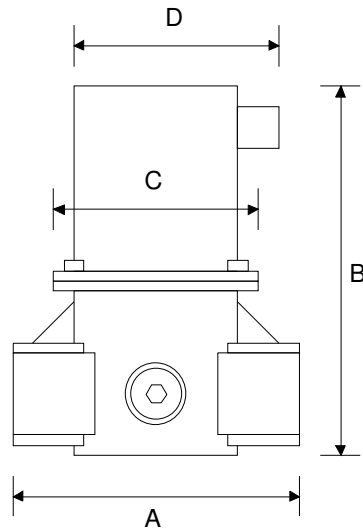
Power supply	240V (+10% -15%) 50-60 Hz
Power consumption	CS-GSV-15/20/25: 25VA CS-GSV-32/40/50: 50VA
Opening time	< 1 second
Closing time	< 1 second
Max. no. of operations	20 per minute
Ambient temperature	-15°C to 60°C
Coil temperature	approx. 70°C
Cable entry	PG11 gland
Rating	IP54
Max. pressure	200 mbar
Approvals	Class "A" BSEN161:2002 Approved British Gas & European Standards 90/396/EEC - 73/23/EEC - 89/336/EEC CE Approved



This symbol on this product or the package indicates that disposal of this product after its lifecycle could harm the environment.
DO NOT dispose of this product (or batteries if used) as unsorted municipal waste. It should be disposed by a specialised company for recycling.
This product should be returned to your distributor or to a local recycling service.
Respect the local environment rules.

Dimensions*All dimensions in mm*

Model	A	B	C	D
GSV-15	72	125	52	85
GSV-20	86	145	70	87
GSV-25	100	145	75	87
GSV-32	150	225	110	123
GSV-40	150	225	110	123
GSV-50	170	240	135	123



This symbol on this product or the package indicates that disposal of this product after its lifecycle could harm the environment.
 DO NOT dispose of this product (or batteries if used) as unsorted municipal waste. It should be disposed by a specialised company for recycling.
 This product should be returned to your distributor or to a local recycling service.
 Respect the local environment rules.